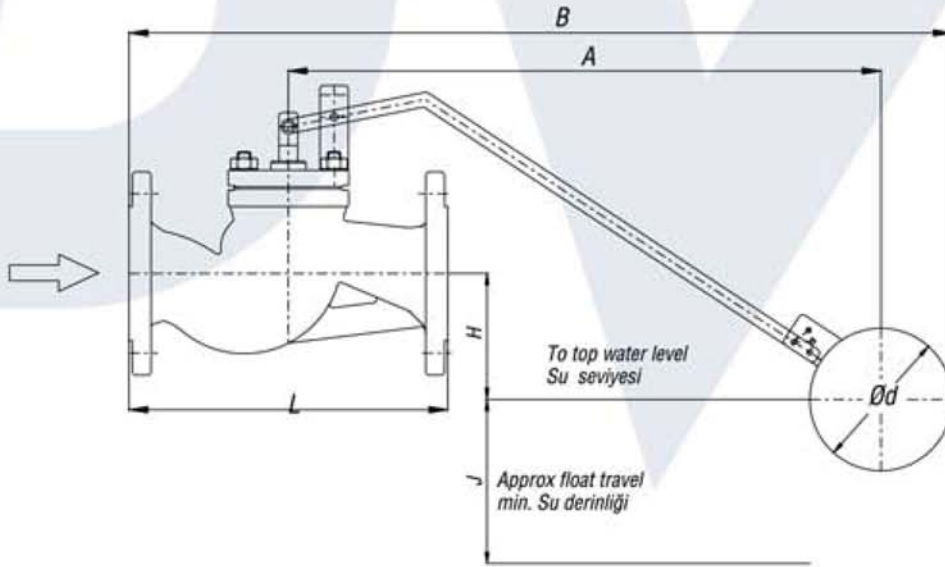
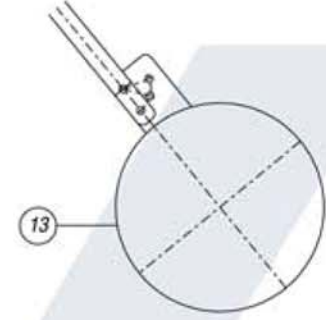
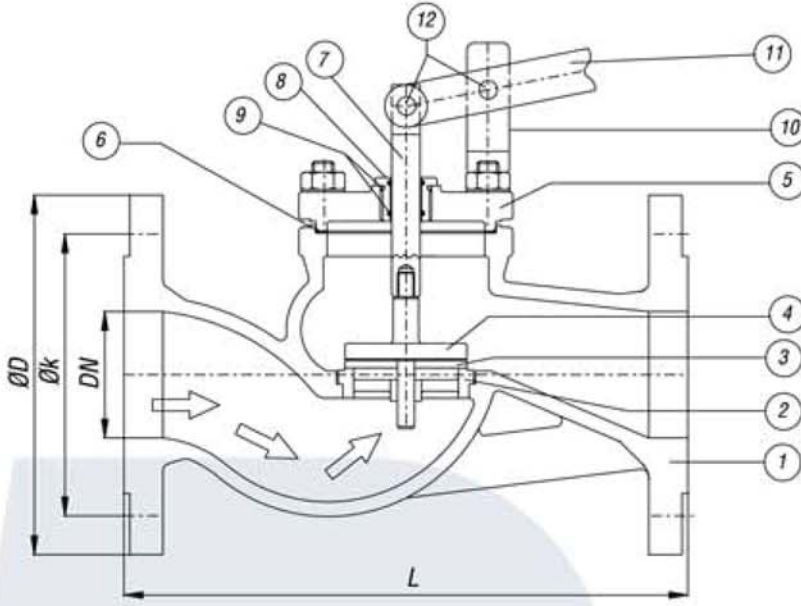


# FLOAT VALVE ŞAMANDRALI VANA

**DemirVana**



NO	PART NAME	PARÇA ADI	MATERIAL / MALZEME
01	Body	Gövde	GG 25/GGG 40
02	Seat Ring	Burç	Ms 58/1.4021
03	Seal	Conta	EPDM
04	Disk	Klape	Ms 58/1.4021
05	Bonnet	Kapak	GG 25/GGG 40
06	Gasket	Conta	EPDM
07	Spindle	Mil	1.4021
08	Packing nut	Mil somunu	Ms 58/1.4021
09	O-Ring	O-Ring	EPDM
10	Fulcrum	Destek	St 37
11	Lever	Kol	St 37
12	Pin	Pim	1.4021
13	Float	Küre	Bronze/AISI 304

Nominal pressure / Anma Basıncı		PN 10 / 16										
Nominal Diameter / Anma Çapı		DN	40	50	65	80	100	125	150	200	250	300
Valve Dimensions Vana Boyutları DIN3202/2-F1	L	200	230	290	310	350	400	480	600	730	850	
	A	1295	1295	1460	1460	1535	1850	1850	2145	2345	2995	
	B	1562	1562	1755	1755	1890	2305	2305	2995	3150	3700	
	H	172	172	305	305	330	340	340	340	455	455	
	J	463	463	545	545	546	721	721	907	1150	1502	
	Ød	280		320		350		400		500		
Flange Dimensions / Flans Ölçüleri DIN 2501/TS 810 PN 10	D	150	165	185	200	220	250	285	340	395	445	
	k	110	125	145	160	180	210	240	295	350	400	
Flange Dimensions / Flans Ölçüleri DIN 2501/TS 810 PN 16	D	150	165	185	200	220	250	285	340	405	460	
	k	110	125	145	160	180	210	240	295	355	410	
Weight / Ağırlık	kg	19	20	30	35	55	70	100	180	270	370	

