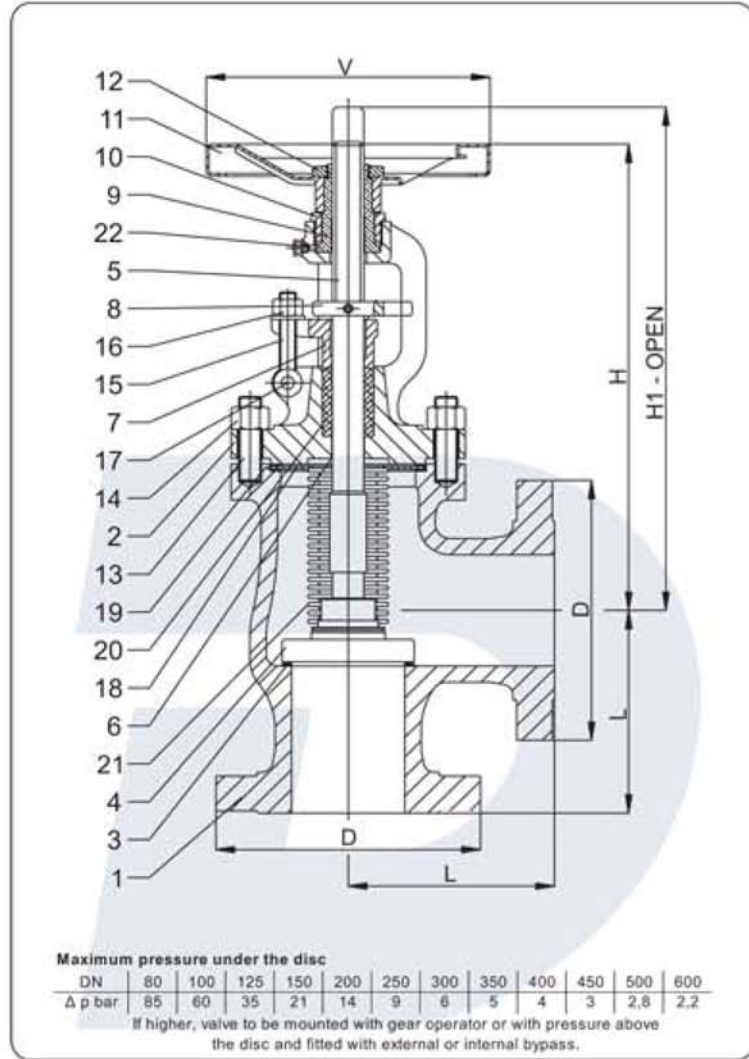


GLOBE VALVES - BELLOW SEAL - ANGLE

GLOB VANA - METAL KÖRÜKLÜ - KÖŞE TİP

DemirVana



standard features

- Description** BOLTED BONNET
OUTSIDE SCREW AND YOKE
RISING STEM
NON RISING HANDWHEEL
- Design** DIN 3352
DIN 3840
- Face to face** DIN 3202
- Flanges** DIN 2501
DIN 2547
DIN 2526 FORM E
BW TO DIN 3239
- Testing** DIN 3352 Part 1
DIN 3230 Part 3
- Rating** DIN 2401
- Marking** EN 19
CE - PED
- Certificates** EN 10204 – 3.1 B

| PART NAME | S1810 - (NODULAR IRON) | A1680-A1560ASO-A1570ASO | FK1680-FK1560ASO-FK1570ASO |
|------------------------|----------------------------------|----------------------------------|----------------------------------|
| 1 Body | EN-GJS-400-18-LT | 1.0619 (A) | 1.4581 |
| 2 Bonnet | EN-GJS-400-18-LT | 1.0619 (B) | 1.4581 |
| 3 Seat surface | X20Cr13 (1) | X20Cr13 (1) overlay | X5CrNiMo17-12-2 (1) |
| 4 Disc seat surface | X20Cr13 (1) | X20Cr13 (1) | X5CrNiMo17-12-2 (1) |
| 5 Stem | X20Cr13 (2) | X20Cr13 (2) | X5CrNiMo17-12-2 (2) |
| 6 Back seat (integral) | EN-GJS-400-18-LT | 1.0619 (B) | 1.4581 |
| 7 Gland | 1.0460 | 1.0460 | X5CrNiMo17-12-2 |
| 8 No rot. Device | X20Cr13 | X20Cr13 | X5CrNiMo17-12-2 |
| 9 Yoke sleeve | N/A | MS58 (3) | MS58 (3) |
| 10 Yoke nut | 1.0460 | 1.0460 | X5CrNiMo17-12-2 |
| 11 Handwheel | Steel | Steel | Steel |
| 12 Handwheel nut | 1.0460 | 1.0460 | X5CrNiMo17-12-2 |
| 13 Bolts | CK35 | CK35 | A2-70 |
| 14 Nuts | C35 | C35 | A2-70 |
| 15 Eye bolts | CK35 | CK35 | A2-70 |
| 16 Nuts | C35 | C35 | A2-70 |
| 17 Eye bolt pin | CK35 | CK35 | A2-70 |
| 18 Bellow flange | X6CrNiTi18-10 | X6CrNiTi18-10 | X6CrNiTi18-10 |
| 19 Gasket | S. S. reinforced graphite (4) | S. S. reinforced graphite (4) | S. S. reinforced graphite (4) |
| 20 Packing | Graphite rings & wiper rings (4) | Graphite rings & wiper rings (4) | Graphite rings & wiper rings (4) |
| 21 Bellow | X6CrNiTi18-10 | X6CrNiTi18-10 | X6CrNiTi18-10 |
| 22 Grease nipple | Steel | Steel | Steel |



Demir Vana ve Kontrol Elemanları Makina San. Tic. Ltd. Şti

Merkez Ofis : İkitelli OSB Pik Dökümcüler San.Sit CA Blok No:3 Başakşehir/İstanbul

Tel : +90 212 297 57 30 Fax : +90 212 297 57 33 E-mail : dv@demirvana.com Web: www.demirvana.com

GLOBE VALVES - BELLOW SEAL - ANGLE

GLOB VANA - METAL KÖRÜKLÜ - KÖŞE TİP

DemirVana

FIG. 1810 - GLOBE VALVES BELLOW SEAL - 90° ANGLE - DIN PN 16 / 25 - NODULAR IRON - F32

| SIZE DN | 15 | 20 | 25 | 32 | 40 | 50 | 65 | 80 | 100 | 125 | 150 | 175 | 200 | 250 | 300 | 350 | 400 | 450 | 500 | 600 |
|---------|-----|-----|-----|-----|-----|-----|-----|-----|-----|-----|-----|-----|-----|------|------|------|------|------|------|-----|
| L RF | 90 | 95 | 100 | 105 | 115 | 125 | 145 | 155 | 175 | 200 | 225 | 250 | 275 | 325 | 375 | 425 | 475 | 500 | 575 | 675 |
| D | 95 | 105 | 115 | 140 | 150 | 165 | 185 | 200 | 220 | 250 | 285 | 315 | 340 | 405 | 460 | 520 | 580 | 640 | 715 | 840 |
| V | 100 | 100 | 125 | 125 | 150 | 150 | 200 | 200 | 225 | 225 | 300 | 300 | 400 | 500 | 500 | 600 | 600 | 700 | 700 | 800 |
| H | 180 | 190 | 210 | 250 | 290 | 340 | 380 | 450 | 500 | 570 | 650 | 770 | 840 | 950 | 1100 | 1250 | 1500 | 1650 | 1850 | -- |
| H1 | 184 | 195 | 217 | 258 | 300 | 353 | 397 | 470 | 525 | 602 | 688 | 814 | 890 | 1013 | 1175 | 1338 | 1600 | 1763 | 1975 | -- |

FIG. 1680 - GLOBE VALVES BELLOW SEAL - 90° ANGLE - DIN PN 25 / 40 - F32

| SIZE DN | 15 | 20 | 25 | 32 | 40 | 50 | 65 | 80 | 100 | 125 | 150 | 175 | 200 | 250 | 300 | 350 | 400 | 450 | 500 | 600 |
|----------|-----|-----|-----|-----|-----|-----|-----|-----|-----|-----|-----|-----|-----|-----|-----|------|------|------|------|-----|
| L RF/BW | 90 | 95 | 100 | 105 | 115 | 125 | 145 | 155 | 175 | 200 | 225 | 250 | 275 | 325 | 375 | 425 | 475 | 500 | 575 | 675 |
| D - PN25 | 95 | 105 | 115 | 140 | 150 | 165 | 185 | 200 | 235 | 270 | 300 | 330 | 360 | 425 | 485 | 555 | 620 | 670 | 730 | 845 |
| D - PN40 | 95 | 105 | 115 | 140 | 150 | 165 | 185 | 200 | 235 | 270 | 300 | 350 | 375 | 450 | 515 | 580 | 660 | 685 | 755 | 890 |
| V | 100 | 100 | 125 | 125 | 150 | 150 | 200 | 200 | 225 | 225 | 300 | 300 | 400 | 500 | 500 | 600 | 600 | 700 | 700 | 800 |
| H | 210 | 220 | 220 | 220 | 240 | 270 | 310 | 350 | 400 | 460 | 510 | 600 | 630 | 810 | 950 | 1100 | 1350 | 1460 | 1660 | -- |
| H1 | 214 | 225 | 227 | 228 | 250 | 283 | 327 | 370 | 425 | 492 | 548 | 594 | 680 | 813 | 925 | 1088 | 1300 | 1513 | 1725 | -- |

FIG. 1560ASO - GLOBE VALVES BELLOW SEAL - 90° ANGLE - DIN PN 63 - F33

| SIZE DN | 15 | 20 | 25 | 32 | 40 | 50 | 65 | 80 | 100 | 125 | 150 | 175 | 200 | 250 | 300 | 350 | 400 | 500 | 600 | -- |
|---------|-----|-----|-----|-----|-----|-----|-----|-----|-----|-----|-----|-----|-----|-----|------|-----|-----|------|------|----|
| L RF/BW | 105 | 105 | 115 | 130 | 130 | 150 | 170 | 190 | 215 | 250 | 275 | 300 | 325 | 390 | 450 | 515 | 575 | 700 | -- | -- |
| D | 105 | 130 | 140 | 155 | 170 | 180 | 205 | 215 | 250 | 295 | 345 | 375 | 415 | 470 | 530 | 600 | 670 | 800 | 930 | -- |
| V | 150 | 150 | 150 | 200 | 200 | 200 | 225 | 250 | 300 | 400 | 500 | 500 | 600 | 700 | 700 | 800 | 800 | 1000 | 1200 | -- |
| H | 300 | 360 | 360 | 380 | 400 | 430 | 460 | 510 | 540 | 610 | 670 | 760 | 810 | 860 | 990 | -- | -- | -- | -- | -- |
| H1 | 304 | 365 | 367 | 388 | 410 | 443 | 477 | 530 | 565 | 642 | 708 | 804 | 860 | 923 | 1065 | -- | -- | -- | -- | -- |

FIG. 1570ASO - GLOBE VALVES BELLOW SEAL - 90° ANGLE - DIN PN 100 - F33

| SIZE DN | 15 | 20 | 25 | 32 | 40 | 50 | 65 | 80 | 100 | 125 | 150 | 175 | 200 | 250 | 300 | -- | -- | -- | -- | -- |
|---------|-----|-----|-----|-----|-----|-----|-----|-----|-----|-----|-----|-----|-----|-----|------|----|----|----|----|----|
| L RF/BW | 105 | 105 | 115 | 130 | 130 | 150 | 170 | 190 | 215 | 250 | 275 | 300 | 325 | 390 | 450 | -- | -- | -- | -- | -- |
| D | 105 | 130 | 140 | 155 | 170 | 195 | 220 | 230 | 265 | 315 | 355 | 385 | 430 | 505 | 585 | -- | -- | -- | -- | -- |
| V | 150 | 150 | 150 | 200 | 200 | 200 | 225 | 250 | 300 | 400 | 500 | 500 | 600 | 700 | 700 | -- | -- | -- | -- | -- |
| H | 300 | 360 | 360 | 380 | 400 | 450 | 530 | 560 | 630 | 660 | 690 | 780 | 840 | 890 | 1030 | -- | -- | -- | -- | -- |
| H1 | 304 | 365 | 367 | 388 | 410 | 463 | 547 | 580 | 655 | 692 | 728 | 824 | 890 | 953 | 1105 | -- | -- | -- | -- | -- |

features on request

- TOP FLANGE TO ISO 5210
- GEAR OPERATOR
- CHAIN WHEEL OPERATOR
- PNEUMATIC ACTUATOR
- HYDRAULIC ACTUATOR
- ELECTRIC ACTUATOR
- POSITION INDICATOR
- LIMIT SWITCHES
- LOCKING / INTERLOCK SYSTEM
- PTFE SOFT SEATS
- STEM PROTECTION / EXTENSION
- REGULATING DISC
- DOUBLE STAGE DISC
- STOP CHECK DISC
- LIVE LOADED PACKING
- DRAIN PLUG
- BW ENDS
- ANSI CONNECTIONS



Demir Vana ve Kontrol Elemanları Makina San. Tic. Ltd. Şti

Merkez Ofis : İkitelli OSB Pik Dökümcüler San.Sit CA Blok No:3 Başakşehir/İstanbul

Tel : +90 212 297 57 30 Fax : +90 212 297 57 33 E-mail : dv@demirvana.com Web: www.demirvana.com