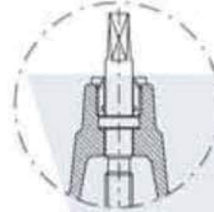
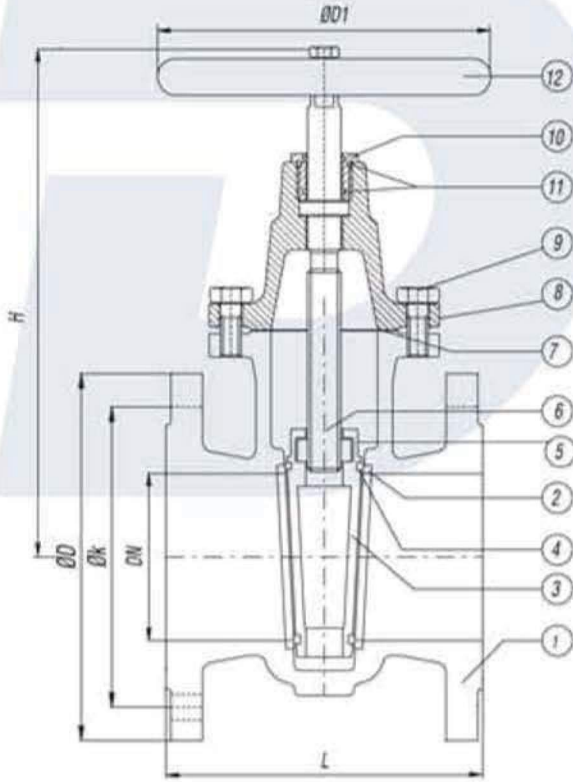


GATE VALVE SÜRGÜLÜ VANA

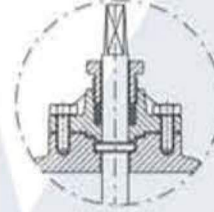
DemirVana

O-RING SİSTEMLİ
PN6/10/16/25/40
TS 457/1
DIN 3352/2-F4(DIN 3216)
DN 40...900

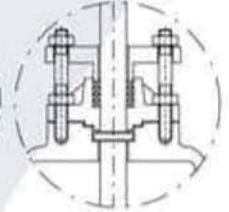
| NO | PART NAME | PARÇA ADI | MATERIAL / MALZEME | |
|----|-------------|--------------|------------------------------|----------------------------|
| 1 | Body | Gövde | GG 25 / GGG-40 / S.S 316 | |
| 2 | Seat Ring | Gövde Burcu | Ms 58 / Bronze/S.S 304/316 | |
| 3 | Wedge Ring | DN40...100 | DN40...100 Sürgü | Ms 58 / Bronze/S.S 304/316 |
| | | DN125...900 | DN125...900 Sürgü | GG 25 / GGG-40/S.S 304/316 |
| 4 | Wedge Nut | Sürgü Burcu | Ms 58/Bronze/S.S 304/316 | |
| 5 | Wedge Nut | Sürgü Somunu | Ms 58/Bronze/GGG 40 | |
| 6 | Stem | Mil | Ms 58/Bronze/S.S | |
| 7 | Gasket | Conta | EPDM/FRANZELİT/KLINGERİT/NBR | |
| 8 | Bonnet | Kapak | GG 25 / GGG-40 | |
| 9 | Bolt | Civata | 5 D/S.S | |
| 10 | Packing nut | Mil Somunu | Ms 58/Bronze/S.S | |
| 11 | O-Ring | O-Ring | Epdm/NBR | |
| 12 | Handwheel | Volan | GG 20 | |



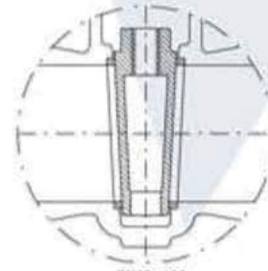
DN 40...DN200
O-Ringli mil
O-Ringli Stem



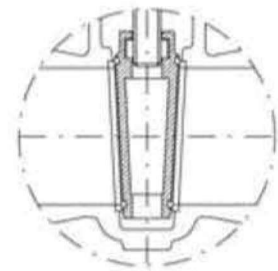
DN 250/300
Salmastra Detayı
Packing Detail



DN 350...900
Salmastra Detayı
Packing Detail



DN40...100
Sürgü Tipi
Wedge Type



DN125...900
Sürgü Tipi
Wedge Type

| Nominal Pressure / Anma Basıncı | PN | | | | | | | | | | | | | | | | | | | |
|---|----|-----|------|------|------|------|-----|------|-----|-----|-----|-----|-----|------|------|------|------|------|--|-----|
| Nominal Diameter / Anma Çapı | DN | 40 | 50 | 65 | 80 | 100 | 125 | 150 | 200 | 250 | 300 | 350 | 400 | 500 | 600 | 700 | 800 | 900 | | |
| Valve Dimensions / Vana Boyutları TS 457/1 DIN3352/2-F4 | L | 140 | 150 | 170 | 180 | 190 | 200 | 210 | 230 | 250 | 270 | 290 | 310 | 350 | 390 | 430 | 470 | 510 | | |
| | H | 157 | 190 | 210 | 230 | 260 | 365 | 375 | 500 | 630 | 715 | 820 | 910 | 1135 | 1300 | 1480 | 1690 | 1820 | | |
| | D1 | 160 | | | | 200 | | | 250 | | | 315 | | 400 | | 500 | | 630 | | 800 |
| Flange Dimensions / Flang Ölçüleri DIN2501/TS 810 PN10 | D | 150 | 165 | 185 | 200 | 220 | 250 | 285 | 340 | 395 | 445 | 505 | 565 | 670 | 780 | 895 | 1015 | 1115 | | |
| | k | 110 | 125 | 145 | 160 | 180 | 210 | 240 | 295 | 350 | 400 | 460 | 515 | 620 | 725 | 840 | 950 | 1050 | | |
| Weight / Ağırlık | kg | 8.3 | 10.2 | 13.7 | 15.5 | 22.1 | 37 | 44.2 | 81 | 123 | 176 | 225 | 290 | 460 | 680 | 870 | 1200 | 1400 | | |



Demir Vana ve Kontrol Elemanları Makina San. Tic. Ltd. Şti

Merkez Ofis : İkitelli OSB Pk Dökümcüler San.Sit CA Blok No:3 Başakşehir/İstanbul

Tel : +90 212 297 57 30 Fax : +90 212 297 57 33 E-mail : dv@demirvana.com Web: www.demirvana.com