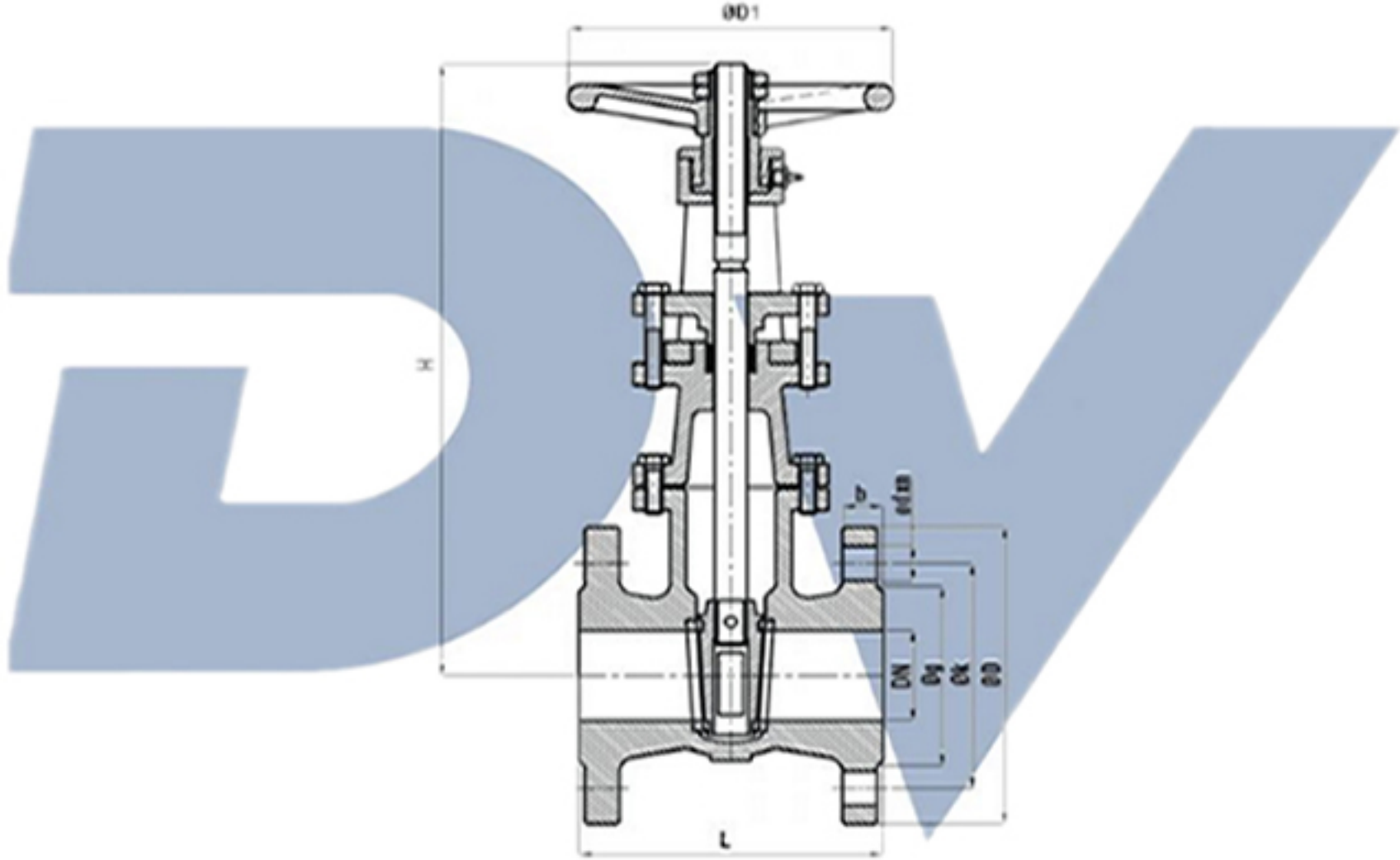


# RISING STEM GATE VALVE

## Yükselen Milli Sürgülü Vana

NO	PARÇA ADI	MALZEME
1	Gövde	GG 25 / GGG-40/GGG-40.3/GSC25/ BronzeRG5, RG7, RG10/SS304,SS316
2	Gövde Burcu	Ms 58/BRONZE / S.S
3	Sürgü	GG 25 / GGG-40/GGG-40.3/GSC25/ Bronze RG5, RG7, RG10/SS304,SS316
4	Sürgü Bursu	Ms 58/BronzeE / S.S
5	Sürgü Somunu Sadece 125..600	Bronze / GGG 40
6	Mil	SS420/Ms58/Som59/CuZn35Ni/ CuSn8,Cusn10/SS304,SS316
7	Sabitleme	Ms 58 / Bronze / S.S
8	Conta	Klingerit / EPDM / GRAPHITE
9	Kapak	GG 25 / GGG-40/GGG-40.3/GSC25/ BronzeRG5, RG7, RG10/SS304,SS316
10	Civata	8.8 / A2 / A4
11	Salmastra	GRAPHITE / TEFLON
12	Boyunduruk	SS420/Ms58/Som59/CuZn35Ni/ CuSn8,Cusn10/SS304,SS316
13	Salmastra Baskısı	SS420/Ms58/Som59/CuZn35Ni/ CuSn8,Cusn10/SS304,SS316
14	Mil Yatağı	Ms 58 / Bronze / GGG 40
15	Mil Yatağı Somunu	Ms 58 / Bronze / S.S
16	Gresörlük	St
17	Volan	GG 20
18	Volan Somunu	Ms 58 / Bronze / S.S



Anma Basıncı	DN	40	50	65	80	100	125	150	200	250	300	350	400	500	600
Anma Çapı TS EN 1171 DIN 3352/2-F4	L	140	150	170	180	190	200	210	230	250	270	290	310	350	390
	H min	350	360	470	470	580	650	725	815	950	1080	1225	1390	1670	1920
	H max	410	470	560	560	690	790	895	1030	1220	1405	1595	1810	2195	2550
	D1	160			200			250			315		400		500
Flanş Ölçüleri DIN EN 1092-2 PN 10	D	150	165	185	200	220	250	285	340	395	445	505	565	670	780
	k	110	125	145	160	180	210	240	295	350	400	460	515	620	720
Weight	kg	11	15	19,5	24	30	44	59	106	158	232	200	310	450	600